

KENWOOD VALVE CONTROLS (INDIA) PRIVATE LIMITED

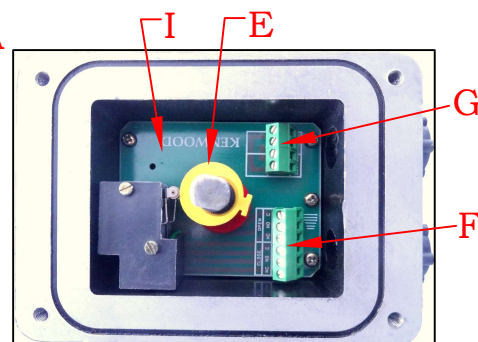
009 & 008 Series Flame Proof Limit Switch Box

For Quarter Turn Valves/Actuators

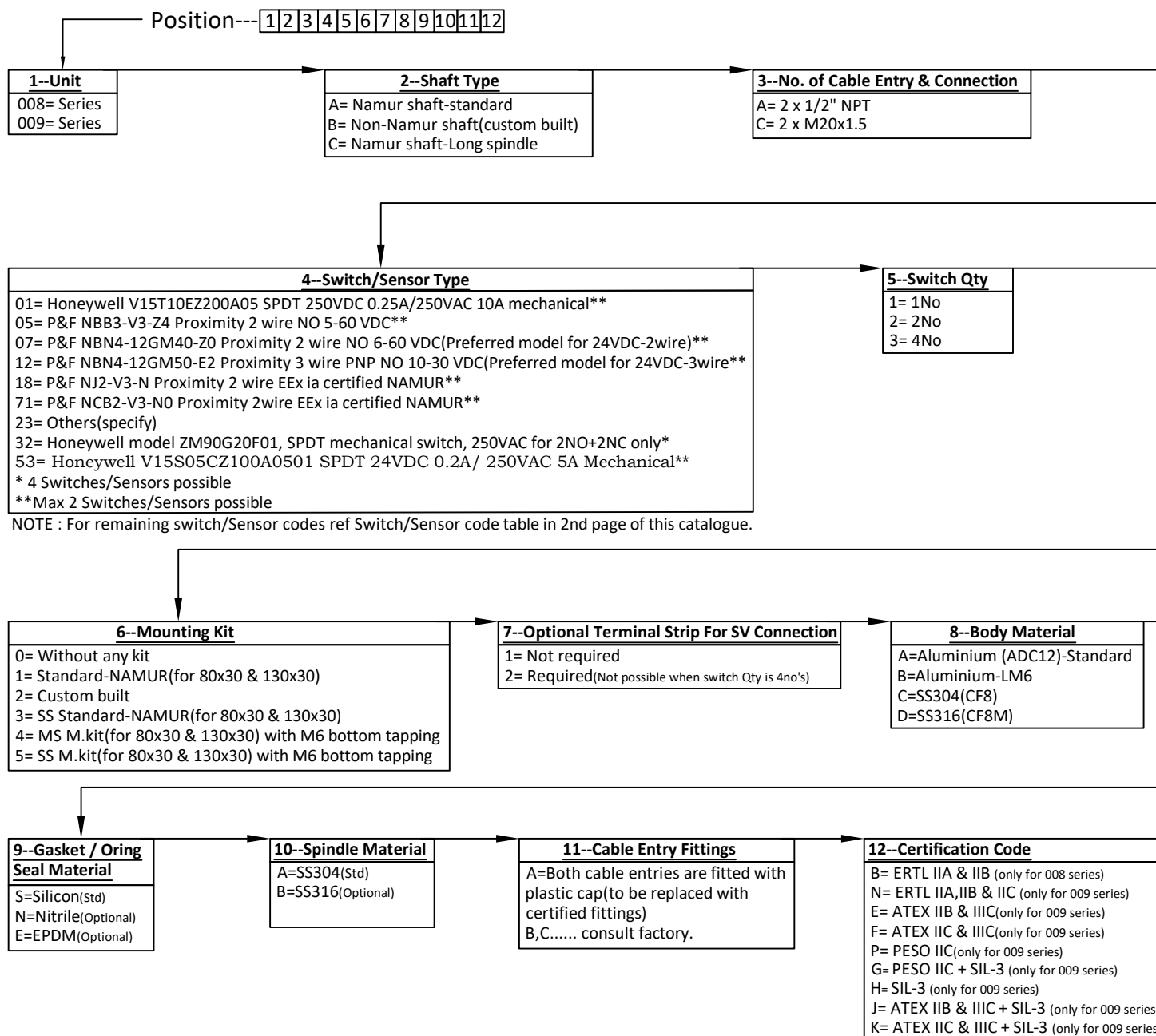
Product Information

Main Features:

- A. 360° Open/Close visual indication with polycarbonate dome.
- B. Pressure die cast aluminium Body & cover (SS optional).
- C. 1/2" NPT; M20x1.5 Conduit entries.
- D. Namur shaft for direct mounting.
- E. Tool-free spring loaded quick cam adjustment.
- F. Prewired terminal strip.
- G. Optional terminal strip for Solenoid valve wiring.
- H. Mounting kit/bracket is a part of supply as standard.
- I. PCB for compactness.
- J. Fool proof design with wrong assembly protection.



Model/part coding:



Example of model no: Below model represents 009 series switch box with indicator cover with standard NAMUR shaft and with 2no of 1/2" NPT cable entries, with 2no of Honeywell micro switch model V15T10-EZ200-A05 and with mounting kit(for 30x80 & 30x130 CD), without SV terminals in Aluminium (ADC12) enclosure and with silicon gaskets/O rings, with SS304 spindle and cable entries fitted with plastic dust caps and enclosure certified to IIB & IIIC application.

009AA01211ASAAE

Catalogue: FLP/ROTARY/2023/04

Rev No : 00

Page no : 01 of 03

KENWOOD VALVE CONTROLS (INDIA) PRIVATE LIMITED

009 & 008 Series Flame Proof Limit Switch Box For Quarter Turn Valves/Actuators

Protection / Product Marking for Limit Switch Box:

Marking for ATEX Limit Switch Box(Only for 009 series)

	OR	
Applicable standards EN 60079-0:2018, EN 60079-1:2014 & EN 60079-31:2014		

Marking for PESO Limit Switch Box (Only for 009 series)

Applicable standards IS/IEC 60079-1 : 2014,

Marking for Non ATEX Limit Switch Box (Only for 009 series)

Applicable standards IS/IEC 60079-0:2011, IS/IEC 60079-1:2014,

Marking for Non ATEX Limit Switch Box (Only for 008 series)

Applicable standards IS/IEC 60079-0:2017, IS/IEC 60079-1:2014,

Switch / Sensor codes (Position 4 of model / Part coding)

4--Switch/Sensor Type

- | | |
|--|---|
| <p>01= Honeywell V15T10E2200A05**
02= P&F Proximity sensors model NBB2-V3-E2**
03= P&F Proximity sensors model NBB2-V3-E3**
04= P&F Proximity sensors model NBB2-V3-E0**
05= P&F Proximity sensors model NBB3-V3-Z4**
06= P&F Proximity sensors model NBB3-B3-Z5**
07= P&F Proximity sensors model NBN4-12GM40-Z0**
08= P&F Proximity sensors model NCN4-12GM40-Z0**
09= P&F Proximity sensors model NCN4-12GM40-Z1**
10= P&F Proximity sensors model NJ4-12GM40-E2**
11= P&F Proximity sensors model NJ4-12GM40-E**
12= P&F Proximity sensors model NBN4-12GM50-E2**
13= P&F Proximity sensors model NBN4-12GM50-E0**
14= P&F Proximity sensors model NJ4-12GM50-WS**
15= P&F Proximity sensors model NJ4-12GM50-WO**
16= P&F Proximity sensors model NJ4-12GM-N**
17= P&F Proximity sensors model NJ4-12GK-N**
18= P&F Proximity sensors model NJ2-V3-N**
19= P&F Proximity sensors model NJ4-12GK-SN**
20= P&F Proximity sensors model SJ3.5-N**
21= P&F Proximity sensors model SJ3.5-SN**
22= P&F Proximity sensors model NJ5-18GM-N**
24= P&F Proximity sensors model NBB4-F1-US**
25= IFM Proximity sensors model IF5719**
26= IFM Proximity sensors model IN-0073**
27= Jai Balaji microswitches model JMS-IRS*
28= P&F Proximity sensors model NBB2-12GM40-Z0**
29= P&F Proximity sensors model NBB5-18GM40-Z0**
30= Rockwell Proximity sensors model 872C-D3NE12-A2**
31= Omron Proximity sensors model E2E-X3D1-N-2M**
32= Honeywell microswitches model-ZM90G20F01*
33= P&F Proximity sensors model NBB5-18GM50-E2**
34= P&F Proximity sensors model NBB5-18GM50-E3**
35= Omron Microswitch model-D3V-115M-1A5**
36= P&F Proximity sensors model NBB2-V3-US**
37= P&F Proximity sensors model NBB3-V3-Z4-3G-3D**
38= Kaycee microswitch**
39= Jayashree Proximity sensors model SW 4053 NO D6 B12x40-FT**
40= P&F Proximity sensors model NBB2-F1-US**</p> | <p>41= AG electronics**
42= P&F Proximity sensors model NCB2-12GM40-Z0**
43= Honeywell microswitches model V15T16-EZ200-A05**
44= Honeywell microswitches model-1HM1**
45= TEKNIC microswitches model MS31MCO 4.8 09**
46= P&F Proximity sensors model NBN8-18GM40-Z0**
47= P&F Proximity sensors model NJ5-18GK-N**
48= Jayashree Proximity sensors model SW4055-NO-A4-BF12x40-FT**
49= P&F Proximity sensors model NCB5-18GM40-Z0**
50= P&F Proximity sensors model NJ8-18GM-N**
51= Honeywell microswitches model V15T16-MZ200-A05**
52= Omron Proximity sensors model E2E-X7D1-N-2M**
53= Honeywell microswitches model V15S05-CZ100-A05-01**
54= OMRON Proximity sensors model E2E-X7T1 2M**
55= P&F proximity sensor NBN8-12GM50-E2**
56= IFM Proximity sensors model IS5026**
57= P&F Proximity sensors model NCB8-18GM50-Z4**
59= P&F Proximity sensors model NCB2-12GM35-NO**
60= P&F make proximity sensor model NJ2-12GK-SN**
61= P&F make proximity sensor model NJ2-11-N-G-5M**
62= P&F make proximity sensor model NCB4-12GM35-Z4**
64= P&F make proximity sensor model NJ2-12GM-N**
65= P&F make proximity sensor model NCB5-18GM40-Z1**
66= P&F make proximity sensor model NBB2-12GM50-E2**
67= P&F make proximity sensor model NCB4-12GM40-NO**
68= P&F make proximity sensor model NCB8-18GM40-NO**
69= P&F Proximity sensors model NJ5-18GK-SN**
70= IFM Proximity sensors model IS0003**
71= P&F make proximity sensor model NCB2-V3-NO**
72= P&F make proximity sensor model NBB3-V3-Z5**
73= P&F make proximity sensor model NCN4-12GM35-NO**
74= P&F make proximity sensor model NJ2-12GM40-E2**
75= IFM make inductive proximity sensor model NS5003**
76= P&F Proximity sensors model NBB8-18GM60-US**
77= P&F Proximity sensors model SJ3.5-S1N**
78= P&F Proximity sensors model NJ3-18GK-S1N**
79= P&F Proximity sensors model NRB8-18GH40-E2**
80= Omron Subminiature Snap Action Switch model SS-GL2*
81= Schneider make proximity sensor XS518B1PAL2**
82= P&F Proximity sensors model NBB4-12GM50-A2**</p> |
|--|---|

NOTE:

* 4 Switches/Sensors possible

**Max 2 Switches/Sensors possible

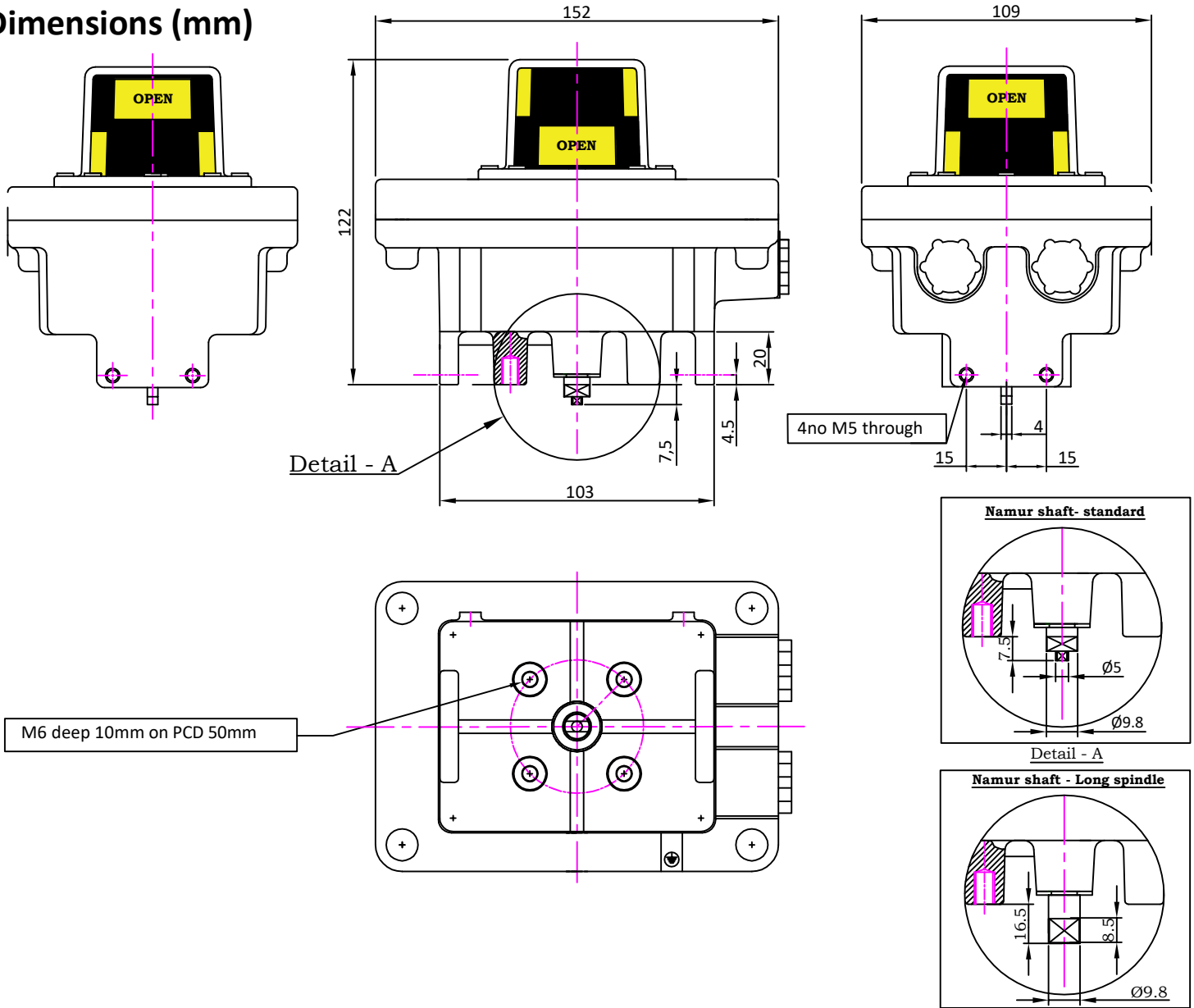
Catalogue: FLP/ROTARY/2023/04

Rev No : 00

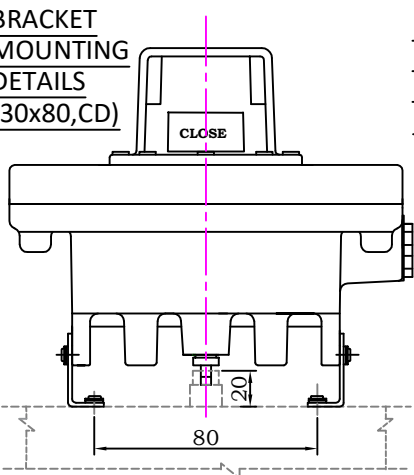
Page no : 02 of 03

KENWOOD VALVE CONTROLS (INDIA) PRIVATE LIMITED

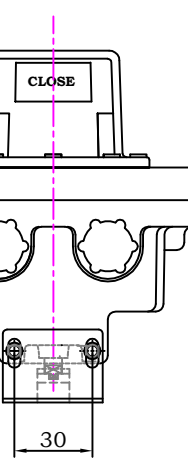
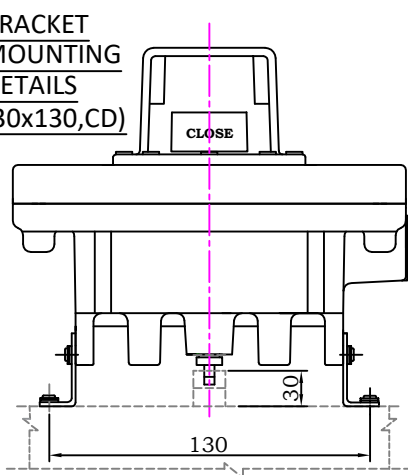
Dimensions (mm)



BRACKET MOUNTING DETAILS (30x80,CD)



BRACKET MOUNTING DETAILS (30x130,CD)



Product Design and Specification may change without notice

Drawing is not to scale

KENWOOD VALVE CONTROLS (INDIA) PRIVATE LIMITED

An ISO 9001 Certified Company
 C-217, MT sagar Industrial Estate, Gokul Road, Hubli-580030(INDIA).
 Telefax: +91-836-2232118/2333118
 Mob : +91-7349132241
 E-mail: preorders@kenwoodvalvecontrols.com
 Website: www.kenwoodvalvecontrols.com

Catalogue : FLP/ROTARY/2023/04
 Rev No : 00
 Page no : 03 of 03